

Chheda Electricals & Electronics Pvt. Ltd.

Product Category: **ELECTRONIC IGNITION UNIT**

Application:

TVS XLChamp

OEM Part No : A063240

Ordering Part No: E101

Also referred to as:

- “Igniter”
- “Two-In-One”
- “Combined CDI & HT Coil”

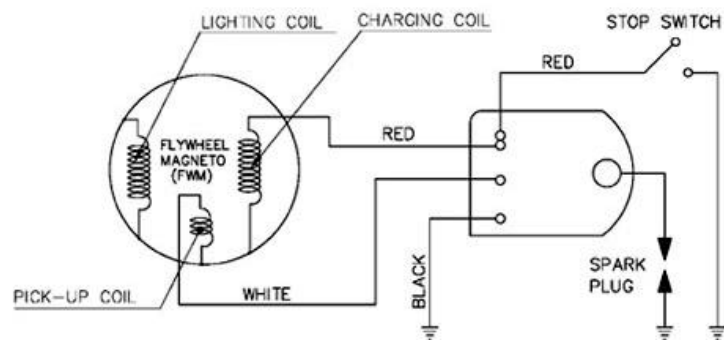
PRODUCT PHOTO



Advantages :

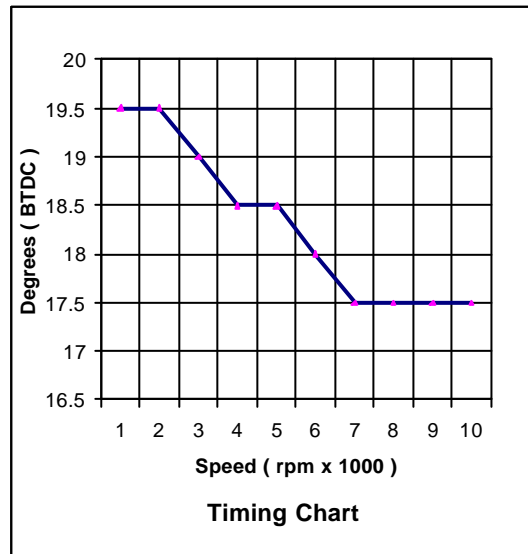
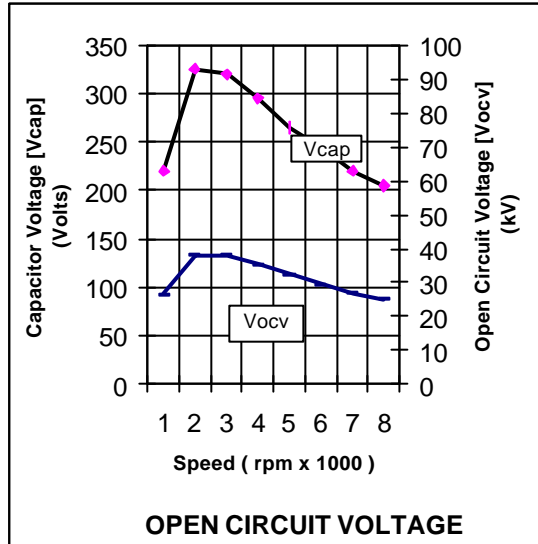
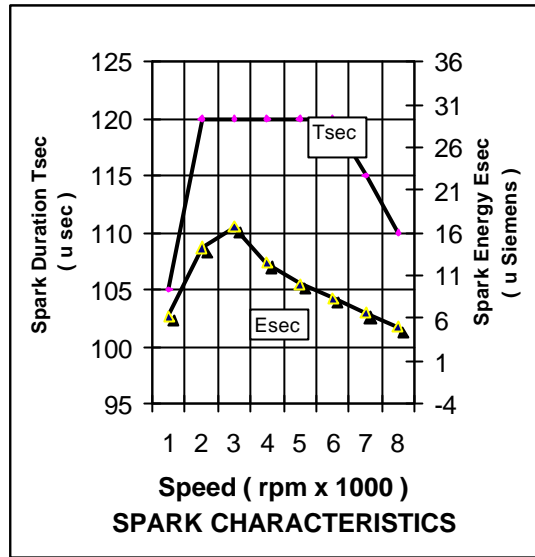
- 1) **Reduced Costs** due to reduced inputs as compared to separate CDI and HT Coil.
- 2) **Improved productivity** and **lower labour costs** due to lesser number of operations for fitment.
- 3) **Higher reliability** due to elimination of potential failure modes.
- 4) **Fail safe circuits** against faulty connections .

APPLICATION DETAILS



CIRCUIT DIAGRAM.

PERFORMANCE GRAPHS

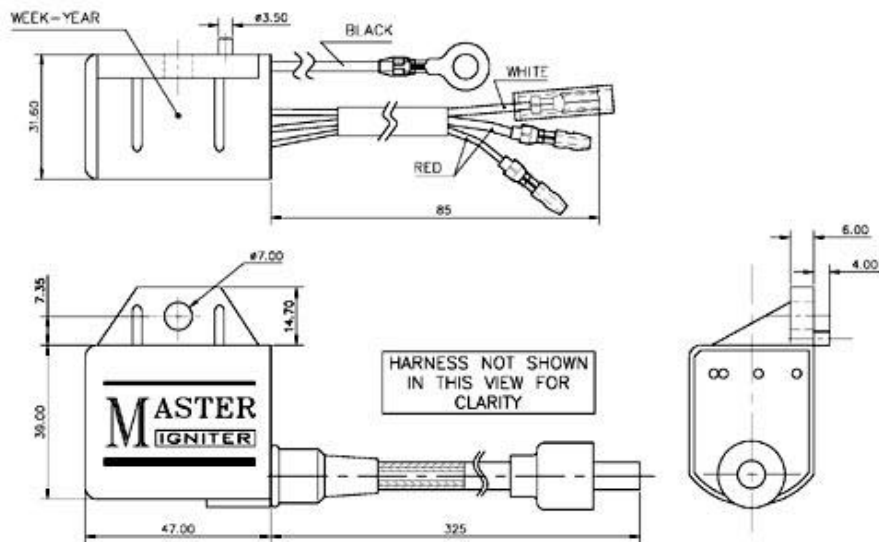


SPECIFICATIONS

ELECTRICAL SPECIFICATIONS:

- 1) TIMING ADVANCE = $19 \pm 2^\circ$ BTDC @ 3000 RPM.
- 2) OPEN CIRCUIT VOLTAGE = 14 kV MIN @ 500 ~ 10000.
= $35 \pm$ kV @ $V_c = 275$ V.
- 3) SPARK DURATION = 120 ± 20 μ sec @ 1500 rpm, 3pt Spark Gap of 5 mm
- 4) CUT IN RPM. = 340 ± 20 .
- 5) WITHSTAND VOLTAGE: = 35 kV minimum.

DIMENSIONS



CONTACT

Chheda Electricals & Electronics Pvt.Ltd.,
 14, Hadapsar Industrial Estate, Pune 411013, INDIA
 Ph : 91-020-6817780, 6876950
 Fax : 91-020-6876948
 Email : ignition@vsnl.com
 Website : www.masterignition.com