

## Chheda Electricals & Electronics Pvt. Ltd.

Product Category: **ELECTRONIC IGNITION UNIT**

Application:

**XL - Super**

**XL - Sport**

**XL - Heavy Duty**

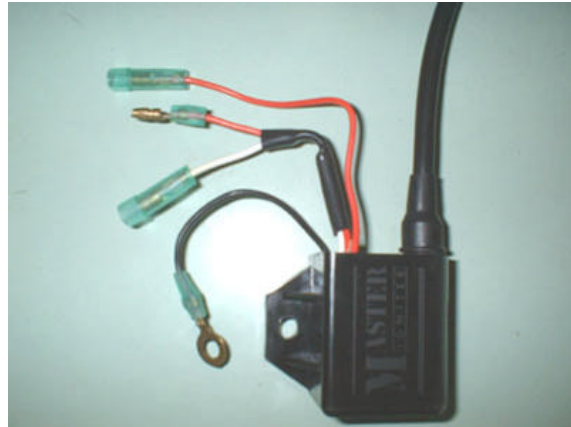
OEM Part No: P060150

Ordering Part No: E102

Also referred to as:

- “Igniter”
- “Two-In-One”
- “Combined CDI & HT Coil”

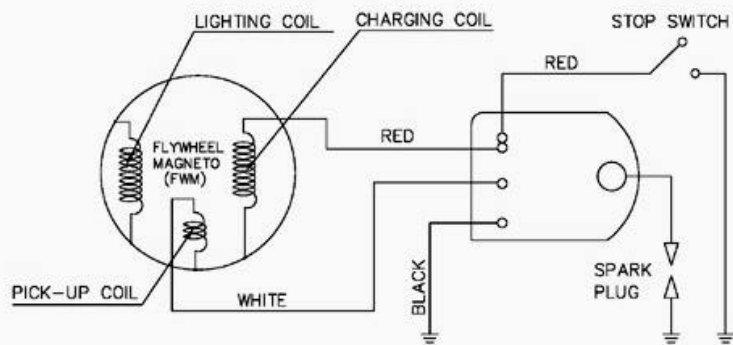
### PRODUCT PHOTO



### Advantages :

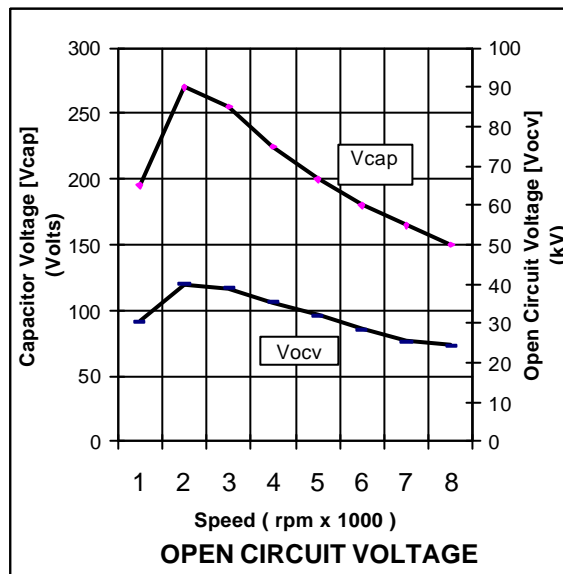
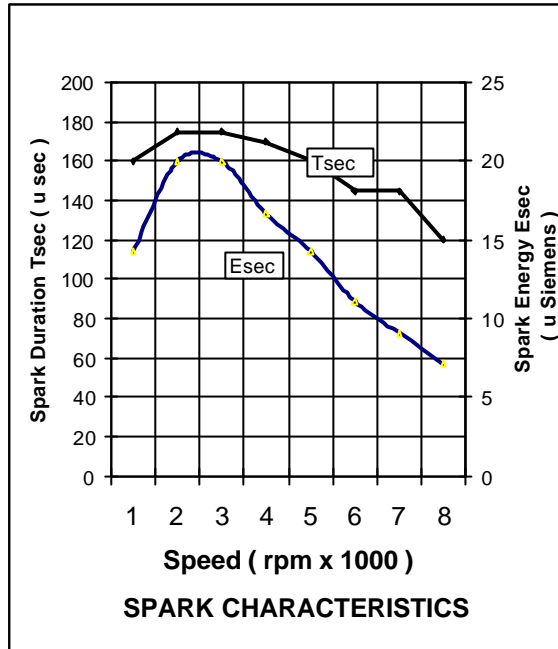
- 1) **Reduced Costs** due to reduced inputs as compared to separate CDI and HT Coil.
- 2) **Improved productivity** and **lower labour costs** due to lesser number of operations for fitment.
- 3) **Higher reliability** due to elimination of potential failure modes.
- 4) **Fail safe circuits** against faulty connections.

### APPLICATION DETAILS



CIRCUIT DIAGRAM.

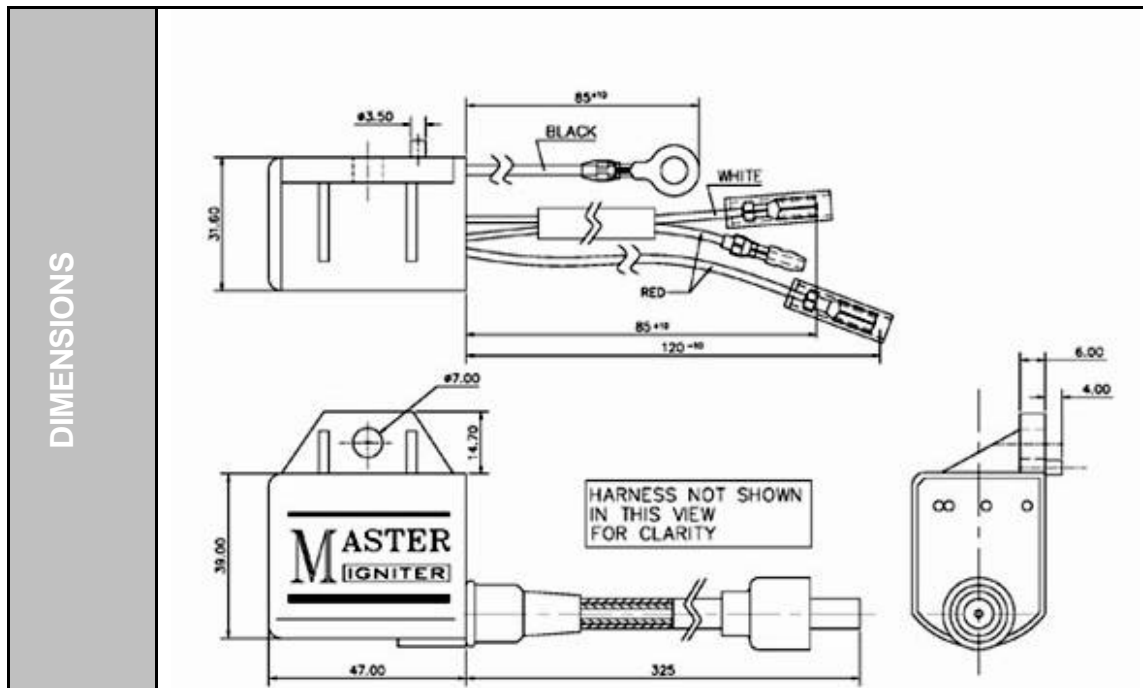
## PERFORMANCE GRAPHS



## SPECIFICATIONS

**ELECTRICAL SPECIFICATIONS:**

- 1) TIMING ADVANCE =  $21 \pm 2^\circ$  BTDC @3000 RPM
- 2) OPEN CIRCUIT VOLTAGE =  $14 + 3$  kV MIN @ 500 ~ 1000  
= 35.5 KV at  $V_c = 225$ V
- 3) SPARK DURATION =  $170 \pm 40$   $\mu$ sec @ 1500 rpm, 3 pt Spark Gap of 5 mm
- 4) CUT IN RPM =  $340 \pm 20$ .
- 5) WITHSTAND VOLTAGE = 35 kV.

**CONTACT****Chheda Electricals & Electronics Pvt.Ltd.,**

14, Hadapsar Industrial Estate, Pune 411013, INDIA

Ph : 91-020-6817780, 6876950

Fax : 91-020-6876948

Email : [ignition@vsnl.com](mailto:ignition@vsnl.com)Website : [www.masterignition.com](http://www.masterignition.com)