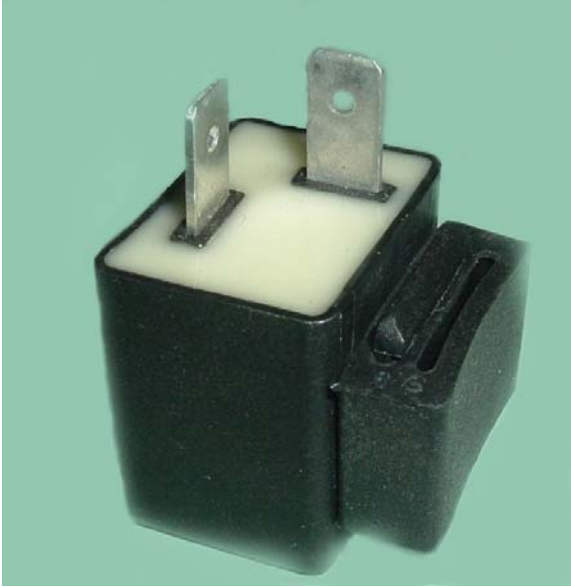
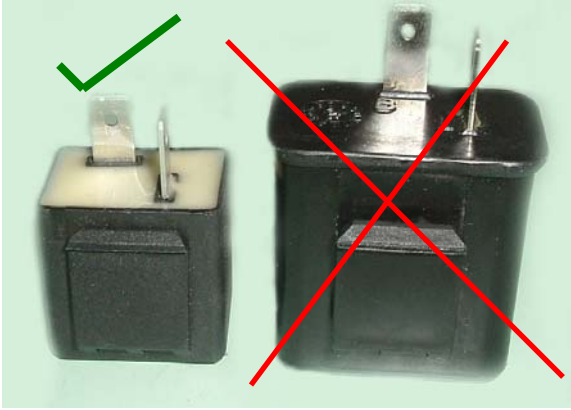


Chheda Electricals & Electronics Pvt.Ltd.,

Product Category: **SOLID STATE FLASHER**
 Specially Designed to deliver unmatched quality and reliability .

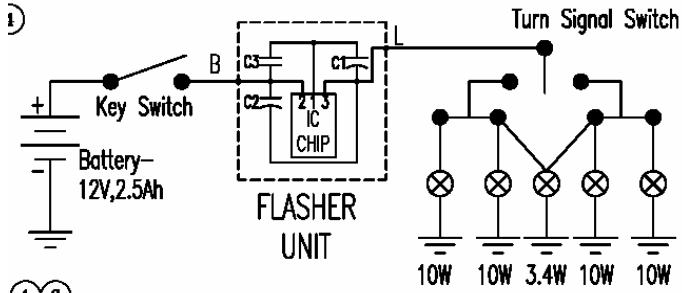


| Models | OEM Part No | Product Photo | CEEPL PART CODE |
|--|-------------|---|-----------------|
| Suitable for all 4-Stoker two wheelers. | N9160380 |  | 1104 |
| Replaces the Existing Relay Type Flashers with following benefits : <ul style="list-style-type: none"> ➤ Small size ➤ Potted unit hence water proof ➤ Overload Protection ➤ Short circuit Protection | | | |
|  | | | |

SPECIFICATIONS

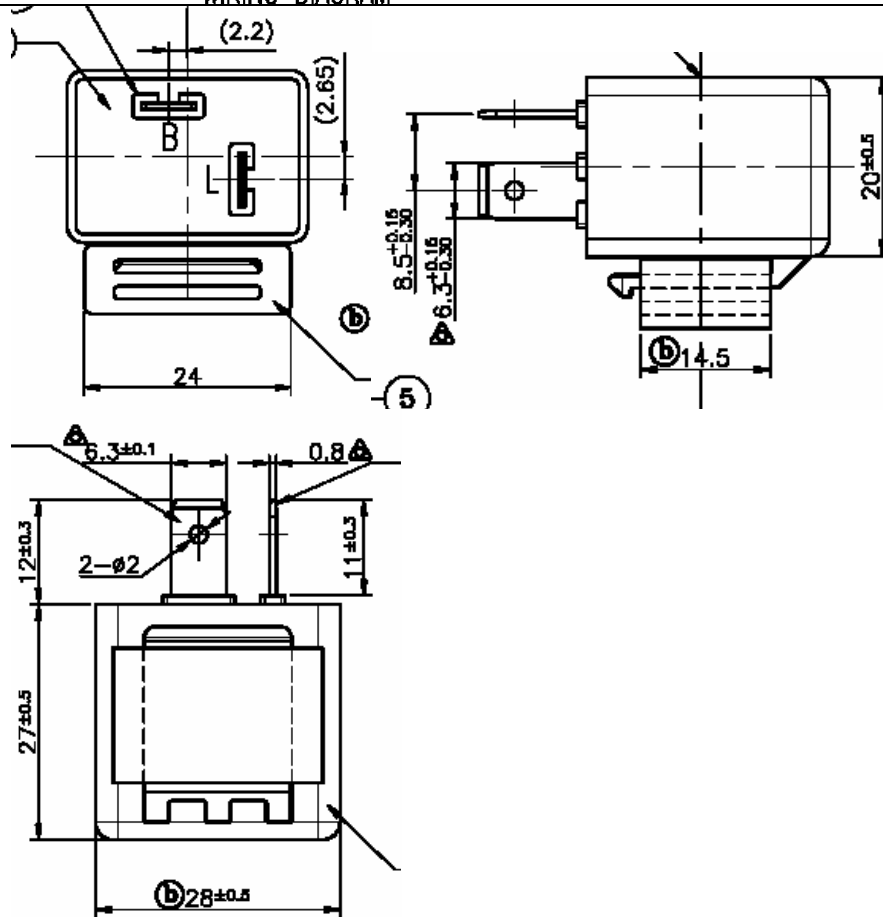
GENERAL ELECTRICAL SPECIFICATIONS:

1. NOMINAL VOLTAGE=12V
2. OUTPUT VOLTAGE RANGE=11-15V
3. FLASH RATE: -NOMINAL=85±10 cycles/min.
-ONE BULB REMOVED(10W)=OVER 140cycles/min.
4. DUTY CYCLE= 35% TO 60%.
5. LOADS= 12,10W-2 Nos. (13.5V, 0.74±0.07A)
12V, 3.4W-1 No.(14V, 0.24±0.02A)
6. START TIME:- IMMEDIATE
- 7.DURABILITY:- 400 Hrs (15 Sec.ON & 15 Sec.OFF)



① ⑥
WIRING DIAGRAM

DIMENSIONS



CONTACT

Chheda Electricals & Electronics Pvt.Ltd.,
 14, Hadapsar Industrial Estate, Pune 411013, INDIA .
 Ph : +91 20 26817780, 26876950 ; Fax : +91 20 26876948
 Email : ignition@vsnl.com
 Website : www.masterignition.com