

Chheda Electricals & Electronics Pvt.Ltd.,

Product Category: **IGNITION COIL**
 Specially Designed High Performance Ignition Coil With "I" Core .



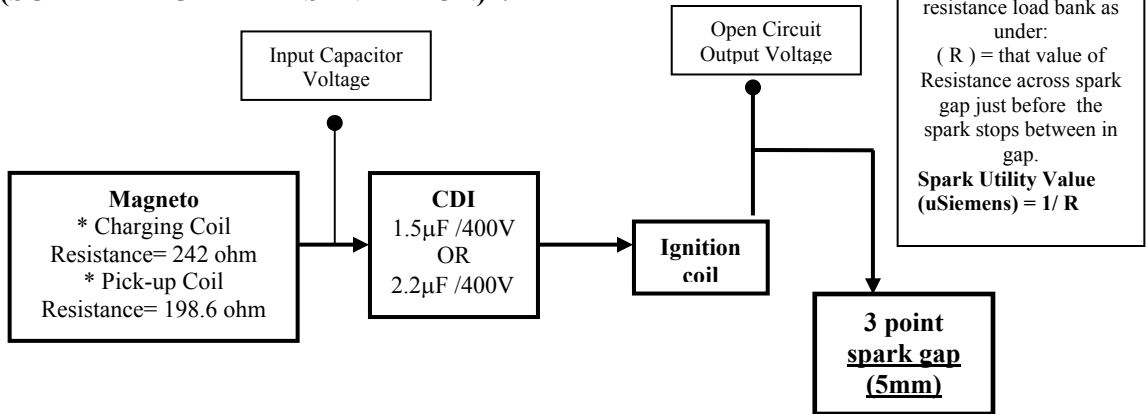
Models	OEM Part No	Product Photo	CEEPL PART CODE
TVS Victor GL TVS Victor GX TVS Centra	N2060070 N5060180, N5060250		603,607 605,610
TVS Victor GLX	N9060030		608
TVS Scooty PEP (old type coil) TVS Scooty PEP	K3060160 K3060410		604 609
Parallel Mount Coils			ICA 024
TVS Fiero old TVS Fiero F2	M1060010 M7060110		601 606
Also suitable for : BAJAJ Pulsar YAMAHA Crux	DH111007 5AH554000		ICA 23

GENERAL ELECTRICAL SPECIFICATIONS:

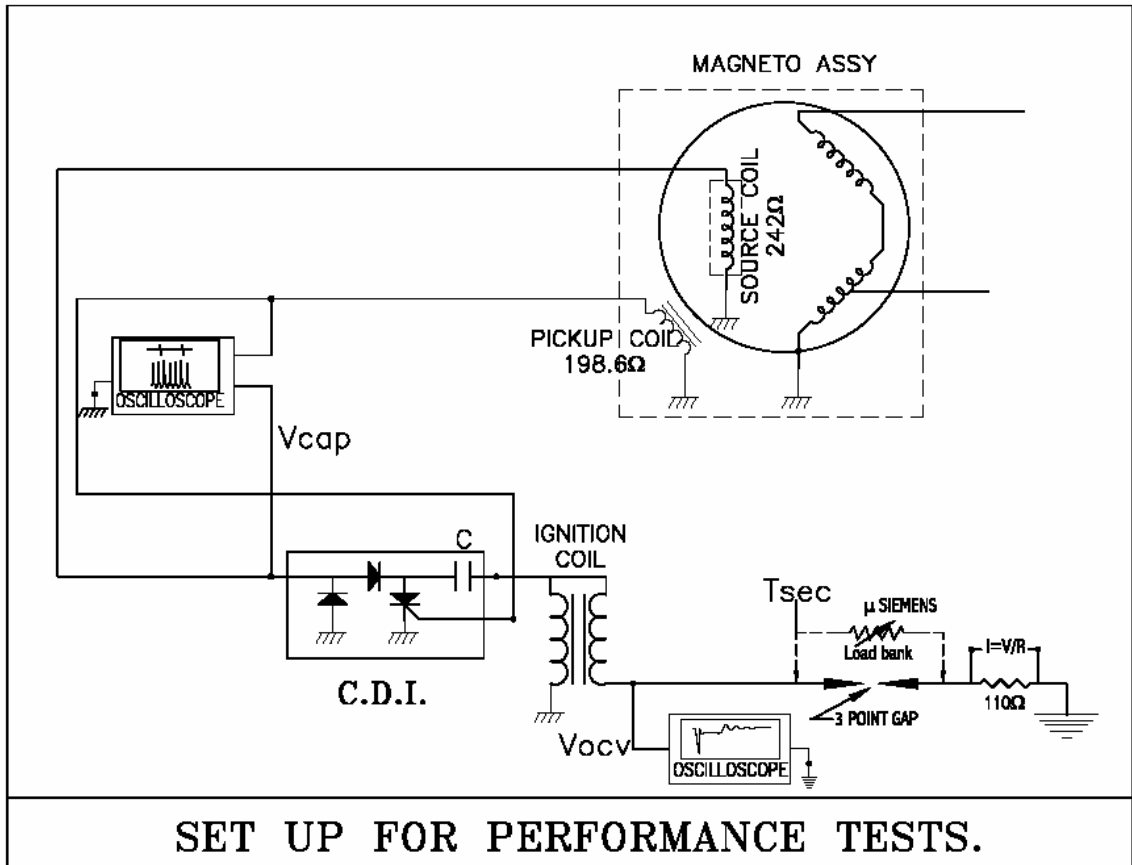
- 1) WITHSTAND VOLTAGE = 40 KV (Max)
- 2) OPERATING AMBIENT TEMPERATURE RANGE = -10°C to +85° C
- 3) Resistance measured on Digital multimeter (make-Fluke); L & Q measured on LCR Bridge at 1KHz (make Forbes-Tinsely)
- 4) Readings at ambient temperature 25 degC

Primary – Gnd			Secondary to Primary/Gnd		
L (uH)	Q	R (ohm)	L (H)	Q	R (Kohm)
125.4	1.163	0.4	3.146	3.535	5.3

Test Set-up (SCHEMATIC REPRESENTATION) :



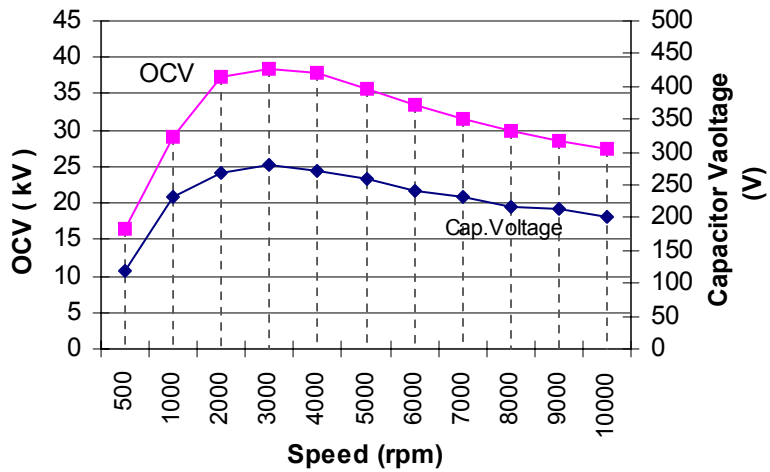
DIAGRAMATIC REPRESENTATION :



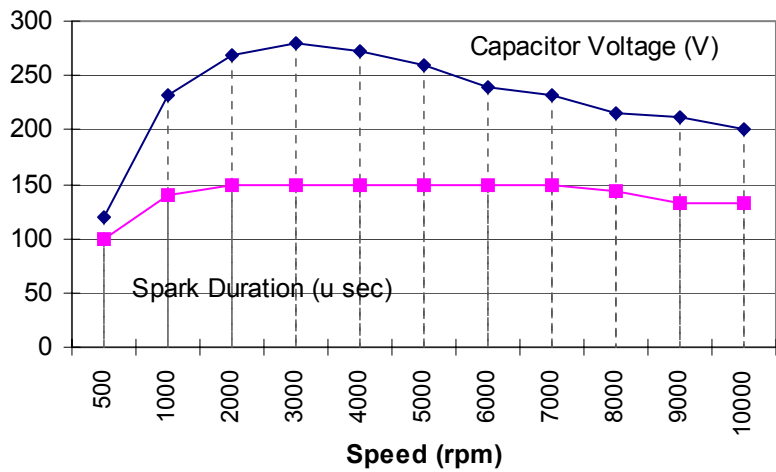
Using 1.5uF Capacitor

PERFORMANCE GRAPHS

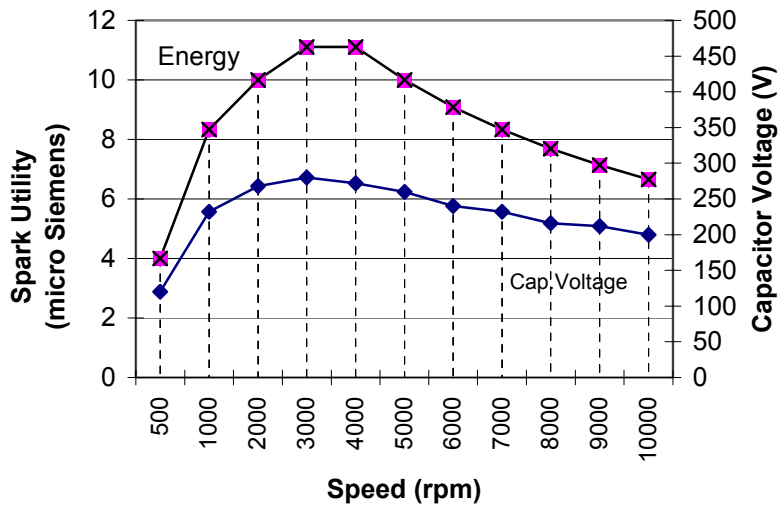
OCV & Cap.Voltage



Spark Duration & Cap.Voltage



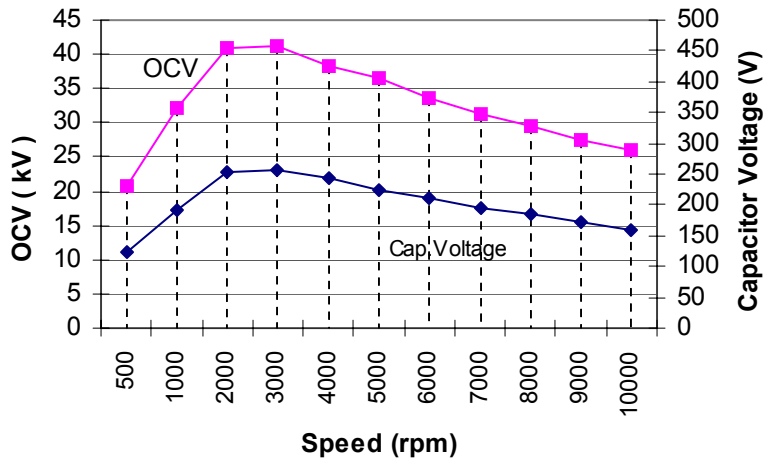
Spark Utility Value & Cap.Voltage



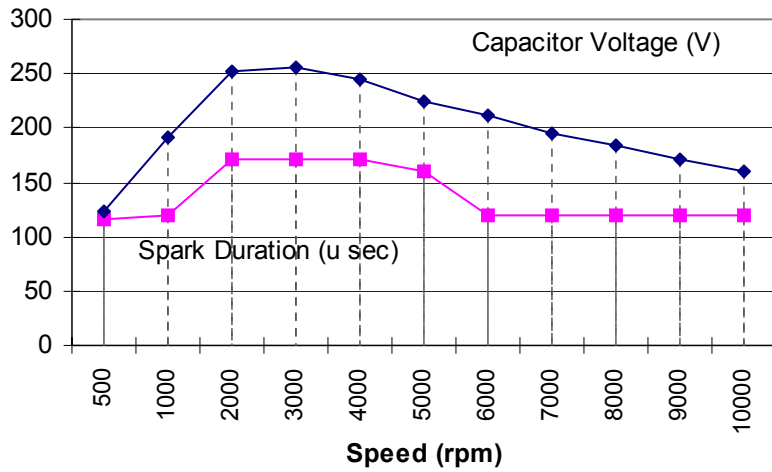
PERFORMANCE GRAPHS

Using 2.2uF Capacitor

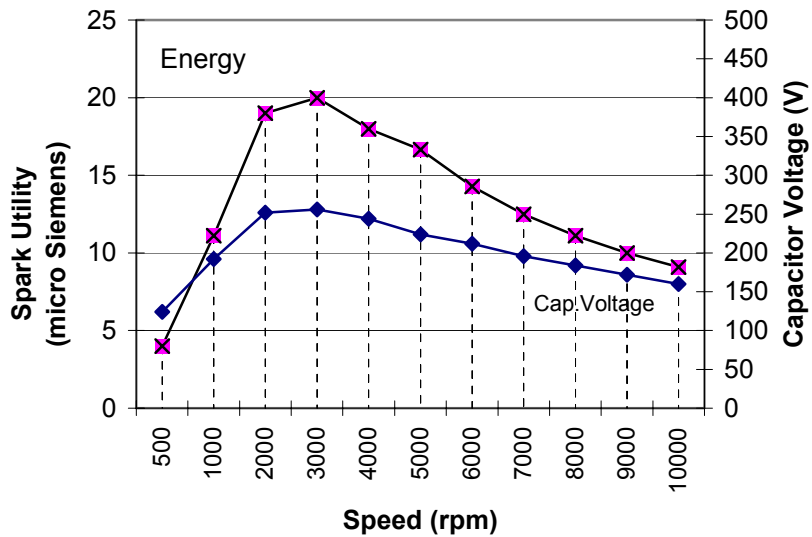
OCV & Cap.Voltage



Spark Duration & Cap.Voltage

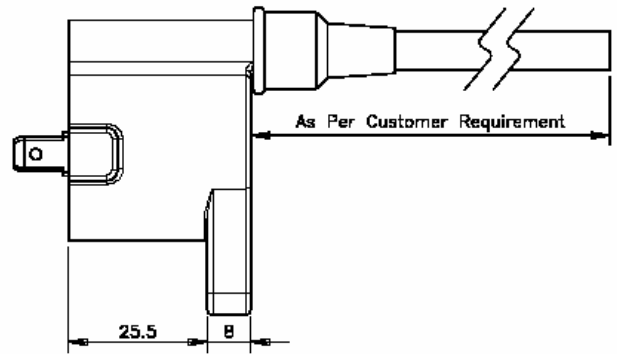
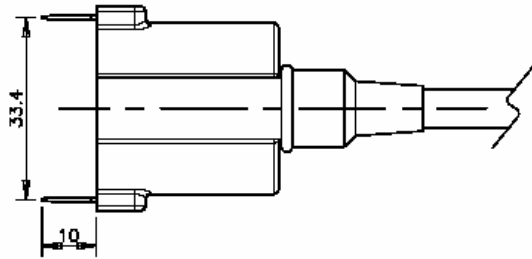
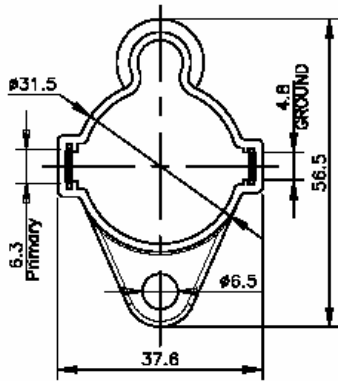


Spark Utility Value & Cap.Voltage



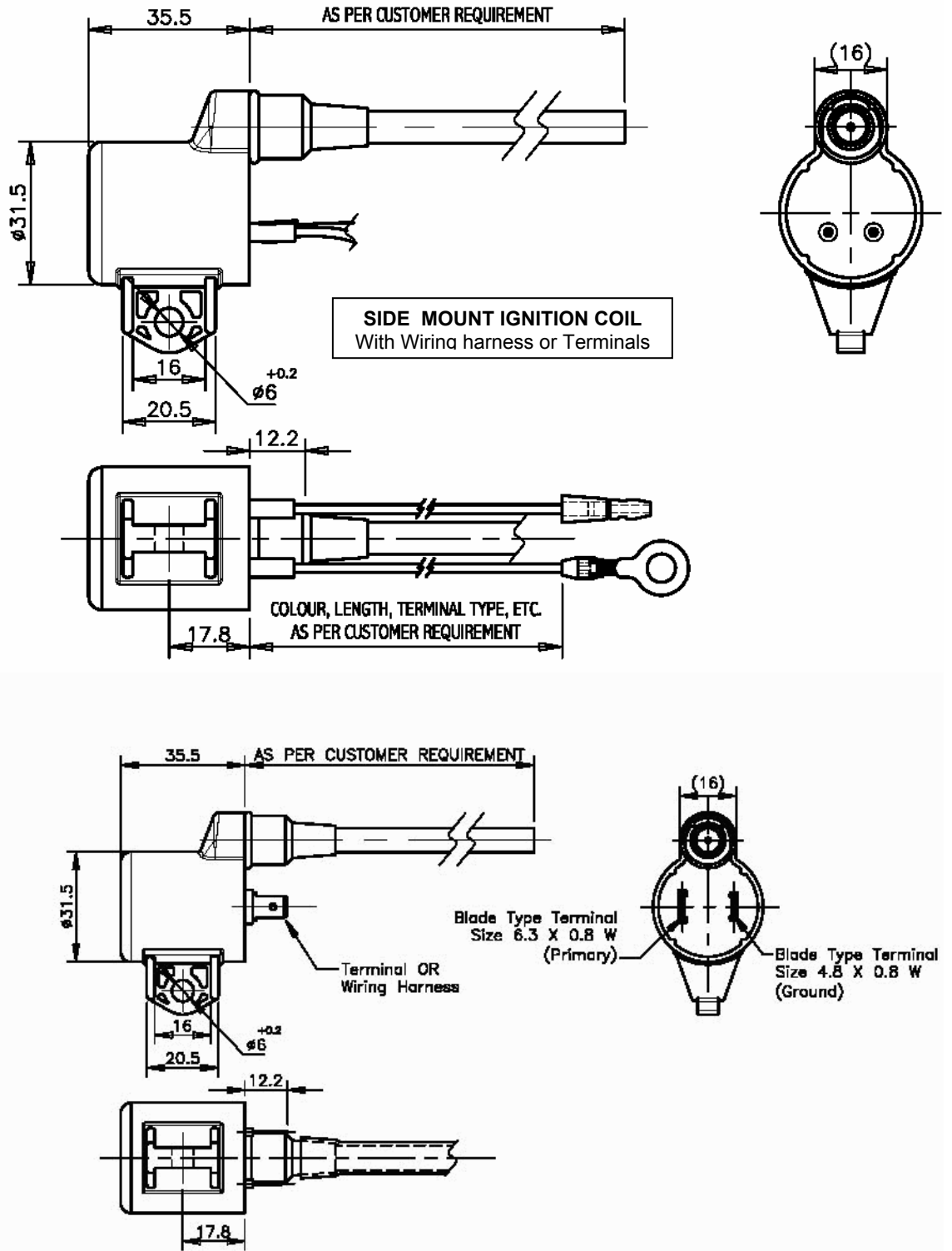
DIMENSIONS

**PARALLEL MOUNT
IGNITION COIL**



Property of Chheda Electricals & Electronics Pvt.Ltd., Pune (India)

DIMENSIONS



CONTACT

Chheda Electricals & Electronics Pvt.Ltd.,

14, Hadapsar Industrial Estate, Pune 411013, INDIA .

Ph : +91 20 26817780, 26876950 ; Fax : +91 20 26876948

Email : ignition@vsnl.com

Website : www.masterignition.com