

Chheda Electricals & Electronics Pvt. Ltd.

Product Category: **MAGNETO**

PRODUCT PHOTO



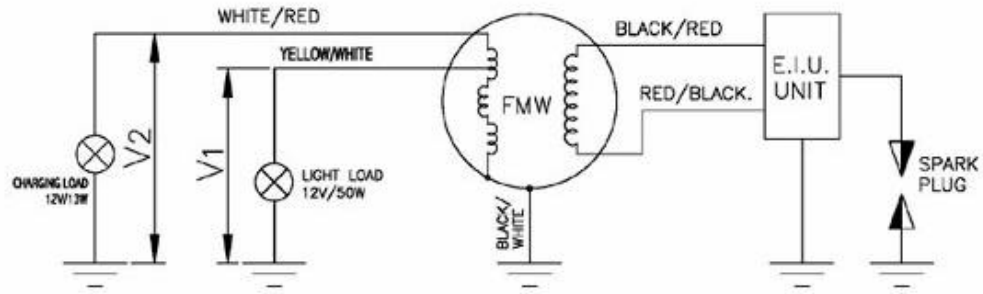
APPLICATION : **TVS 2 STROKE MOTORCYCLES**

OEM Part Nos : **C8060010, C9060010, C9060020 + (all TVS Suzuki -AX 100 series)**

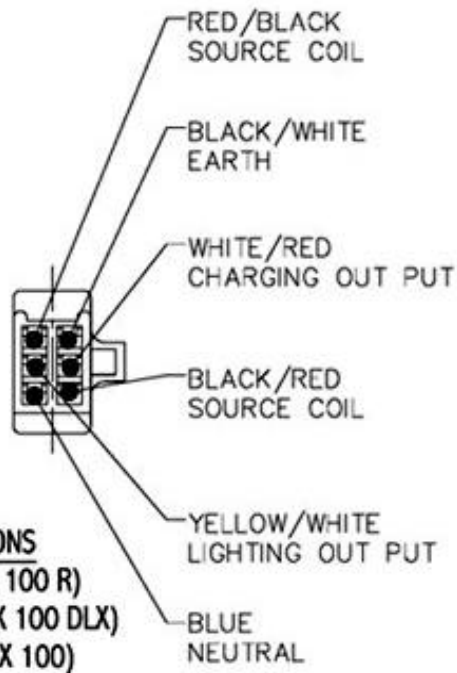
Ordering Part No: **M101**

STATE OF THE ART VALUE ENGINEERED MAGNETOS MANUFACTURED WITH THE BEST AVAILABLE MACHINERY AND PROCESS UNDER STRICT QS9000 PROCEDURES TO DELIVER ZERO DEFECTS.
COMPETITIVELY PRICED TO REDEFINE THE VALUE OF YOUR MONEY.

APPLICATION DETAILS



CIRCUIT DIAGRAM



COUPLER CONNECTIONS
 COLOUR: BLUE (MAX 100 R)
 COLOUR: WHITE (MAX 100 DLX)
 COLOUR: GREEN (MAX 100)

1. GENERAL SPECIFICATIONS:

CONTENTS	SPECIFICATIONS
MODEL	2 – STROKE – MOTORCYCLE
OPERATING TEMP.	20°C~100°C
STORAGE TEMP.	30°C~130°C
DIRECTION OF REVOLUTION	ANTI-CLOCKWISE VIEWING FROM THE ROTOR SIDE
OPERATING SPEED RANGE	300 rpm ~ 10000 rpm 12000 rpm (max)
ASSOCIATED PARTS	COMBINED EIU-7060050, REGULATOR RECTIFIER

2. IGNITION SYSTEM:

CONTENTS	SPECIFICATION
CUTTING SPEED	450 rpm (max)
NO. OF SPARKS	2 SPARK PER ROTATION
SECONDARY NO. LOAD VOLTAGE	12 Kv or MORE BETWEEN 500-8000 rpm
IGNITION TIMING	29± 1 °BTDC @ 3000 rpm (REF. : TIMING ANGLE CURVE)

3. MECHANICAL SPECIFICATIONS:

CONTENTS	SPECIFICATIONS
GUARANTEED REVOLUTION OF ROTOR ASSLY BOSS TAPER ACCURACY	EQUAL TO OVER RUN TEST WHEN 1:5 TAPER GAUGE IS SAID TO BUSH, AN AREA OF CONTACT SHALL BE 90 % OR MORE OF WHOLE AREA OF BUSH TAPPERED POSITION.
MOMENT OF INERTIA	19.5 kg – CM ² (APPROX.)
AMOUNT OF IMBALANCE	1.5 gm-CM
TOTAL WEIGHT	APPROX. 1.64kg. ROTOR- 1.04 kg. , STATOR- 0.6 kg.
ROTOR RIVET STRENGTH	500 kg f/RIVET min.
CLAD BONDING STRENGTH	125 ~150 kgf min.
MAGNET BONDING STRENGTH	400 kgf/MAGNET min.

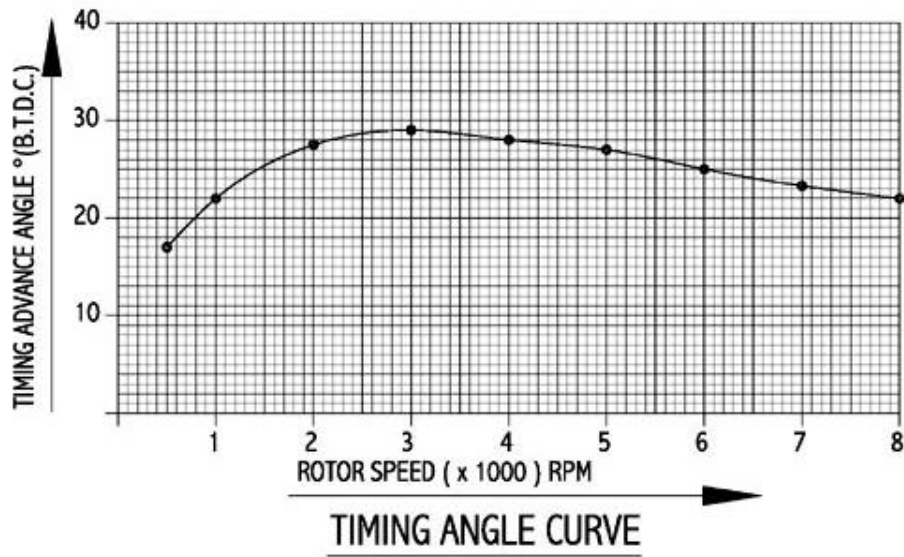
4) MAINTENANCE SPECIFICATION:

COIL RESISTANCE (AT 20°C)	R/B-B/R	140Ω ± 5%
	B/W-Y/W	0.55Ω ± 5%
	B/W-W/R	0.67Ω ± 5%

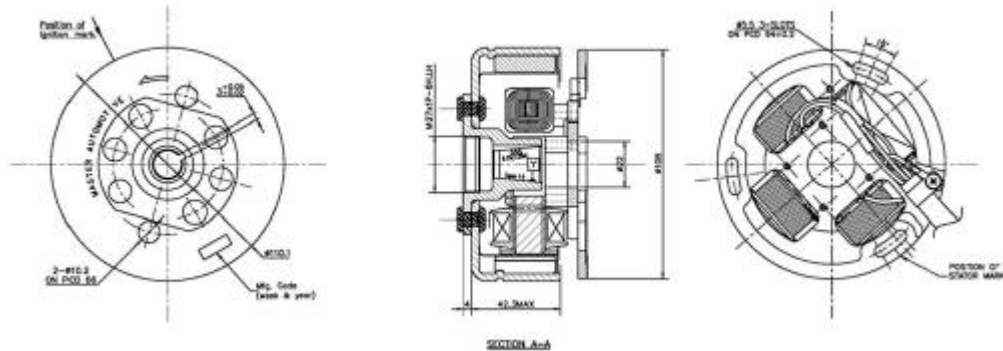
5) CHARGING AND LIGHTING SYSTEM :

CONTENTS	SPECIFICATION
LIGHT VOLTAGE V1	14 V min. @ 2500 rpm. WITH 12.0 V, 50 W LOAD
BATTERY VOLTAGE V2	14 V min. @ 2500 rpm. WITH 12.0 V, 13 W LOAD

PERFORMANCE GRAPHS



DIMENSIONS



CONTACT

Chheda Electricals & Electronics Pvt.Ltd.,
 14, Hadapsar Industrial Estate, Pune 411013, INDIA
 Ph : 91-020-6817780, 6876950
 Fax : 91-020-6876948
 Email : ignition@vsnl.com
 Website : www.masterignition.com