

Chheda Electricals & Electronics Pvt. Ltd.

Product Category: **MAGNETO**

PRODUCT PHOTO



Application: **TVS VICTOR (ALL MODELS)**

OEM Part No : **N2060040**

Ordering Part No : **M102**

STATE OF THE ART VALUE ENGINEERED MAGNETOS MANUFACTURED WITH THE BEST AVAILABLE MACHINERY AND PROCESS UNDER STRICT QS9000 PROCEDURES TO DELIVER ZERO DEFECTS. COMPETITIVELY PRICED TO REDEFINE THE VALUE OF YOUR MONEY.

1. GENERAL SPECIFICATIONS:

CONTENTS	SPECIFICATIONS
MODEL	4-STROKE -MOTORCYCLE
OPERATING TEMP.	20°C~100°C
STORAGE TEMP.	20°C~80°C
DIRECTION OF REVOLUTION	ANTI-CLOCKWISE VIEWING FROM THE SIMILAR DIA OF THE TAPER.
OPERATING SPEED RANGE	300 rpm ~ 11500 rpm 12000 rpm (max)
ASSOCIATED PARTS	CDI-N 2060080, R/R UNIT AND IGNITION COIL (N2060070)

2. IGNITION SYSTEM:

CONTENT	SPECIFICATION
CUT IN SPEED	400 rpm (max)
NO. OF SPARKS	1 SPARK PER ROTATION
SECONDARY NO. LOAD VOLTAGE	14 KV or MORE BETWEEN 500- 10000 rpm
IGNITION TIMING	32± 2 °BTDC @ 4000 rpm (E-MODE)
PICK UP OUTPUT	1.3 V min @ 500 rpm WITH 0.8 ~ 1.1 mm AIR GAP

3. MECHANICAL SPECIFICATIONS:

CONTENTS	SPECIFICATIONS
GUARANTEED REVOLUTION OF ROTOR ASSLY	EQUAL TO OVER RUN TEST
BOSS TAPER ACCURACY	WHEN 1:5 TAPER GAUGE IS SAID TO BUSH , AN AREA OF CONTACT SHALL BE 80 % OR MORE OF WHOLE AREA OF BUSH TAPERED POSITION.
MOMENT OF INERTIA	31 ± 2 kg -CM ²
AMOUNT OF IMBALANCE	2.0 gm-CM (max)
TOTAL WEIGHT	APPROX. 2.1kg. ROTOR- 1.6 kg. , STATOR- 0.5 kg.
ROTOR RIVET STRENGTH	500 kg f/RIVET min.
CLAD BONDING STRENGTH	125 ~150 kgf min.
MAGNET BONDING STRENGTH	400 kgf/MAGNET min.

4. MAINTENANCE SOPECIFICATION:

COIL RESISTANCE (AT 29°C)	6-R	250Ω ± 5%
	Y-B	0.80Ω ± 5%
	W/R-B	0.9Ω ± 5%
	BR-W	215Ω ± 5%

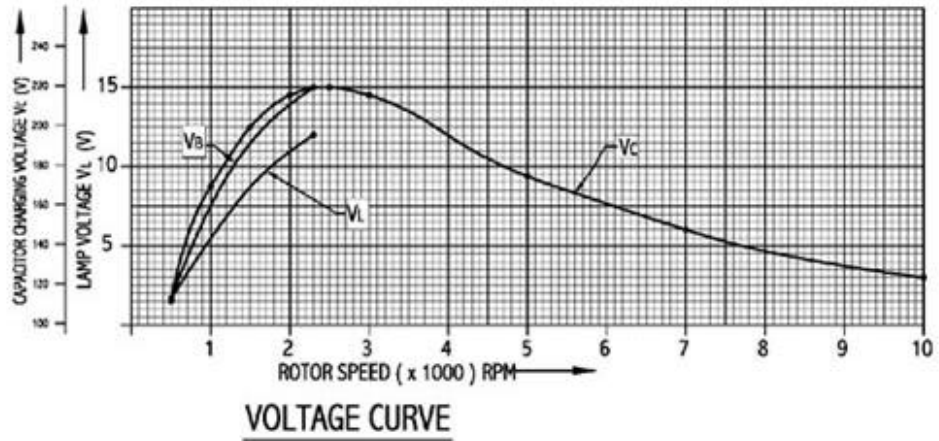
5. LIGHT LOAD PERFORMANCE:

CONTENT	SPECIFICATION
LIGHT VOLTAGE(12 V, 50 W)	14 V min. @ 2300 rpm.(without R-R unit)

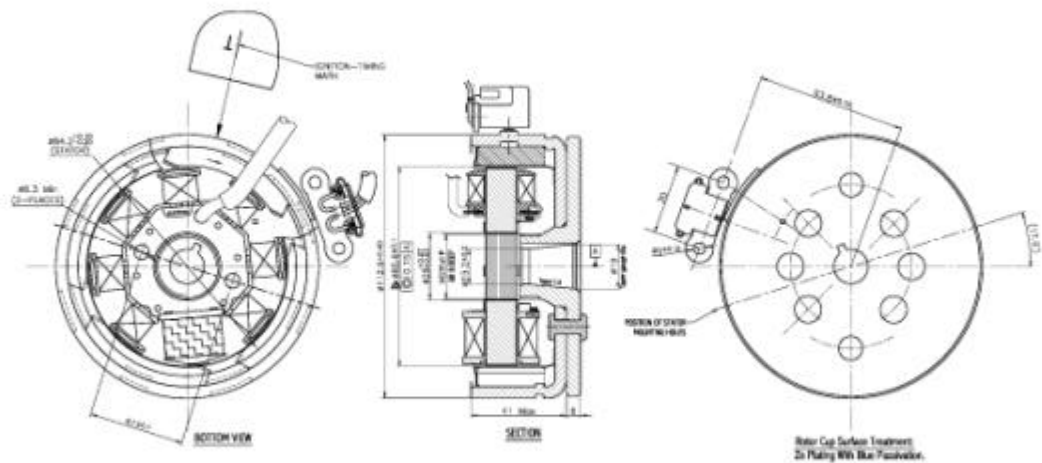
6. BATTERY CHARGING PERFORMANCE:

CONTENTS	SPECIFICATON
BATTERY CHARGING START rpm.	DAY- 1200 rpm. max. NIGHT-1800 rpm. MAX.
BATTERY CHARGING CURRENT	@ 2500 rpm. (V _B = 14±0.1) DAY- 1.5A min. NIGHT-0.7 min.
	@ 6000 rpm. (V _B = 14.4±0.1) DAY- 1.5A min. 4.0A max. NIGHT-1.5 min., 2.5A max.
BATTERY VOLTAGE	@ 2300 rpm. – 15 V min. (Without R-R Unit)

PERFORMANCE
GRAPHS



DIMENSIONS



CONTACT

Chheda Electricals & Electronics Pvt.Ltd.,

14, Hadapsar Industrial Estate, Pune 411013, INDIA

Ph : 91-020-6817780, 6876950

Fax : 91-020-6876948

Email : ignition@vsnl.com

Website : www.masterignition.com