

Chheda Electricals & Electronics Pvt.Ltd.,

Product Category: **MAGNETO**

Specially Designed for delivering High Performance in a strict QS9000 environment.



Models	OEM Part No	Product Photo	CEEPL PART CODE
SCOOTY PEP SCOOTY PEP+	K3060340		5062
			5060
			5061

SPECIFICATIONS

GENERAL ELECTRICAL SPECIFICATIONS:

1] GENERAL SPECIFICATIONS:

CONTENTS	SPECIFICATIONS
MODEL	4-STROKE- N-11
OPERATING TEMPERATURE	20°C~100°C
STORAGE TEMPERATURE	20°C~80°C
DIRECTION OF REVOLUTION	CLOCKWISE VIEWING FROM THE SMALLER DIA OF THE TAPER
OPERATING SPEED RANGE	300 rpm ~ 8000 rpm 10000 rpm (max)
ASSOCIATED PARTS	CDI UNIT, REGULATOR RECTIFIER, IGNITION COIL.

2] IGNITION SYSTEM

CONTENTS	SPECIFICATIONS
CUT IN SPEED ▲	300 rpm (max)
NUMBER OF SPARKS	1 SPARK PER ROTATION.
SECONDARY NO LOAD VOLTAGE	18kV OR MORE BETWEEN 500~9000 rpm
IGNITION TIMING ▲	10±2' BTDC @ 1500 rpm.
PICK UP OUT-PUT	1.3V min @ 500 rpm WITH 0.8~1.1mm AIR GAP
CAPACITOR PEAK VOLTAGE	100V min @ 500 & 10000 rpm, 250V Max.

3] MECHANICAL SPECIFICATIONS.

CONTENTS	SPECIFICATIONS
GUARANTEED REVOLUTION SPEED OF ROTOR ASSLY	EQUAL TO OVER RUN TEST
BOSS TAPER ACCURACY	WHEN 1: 5 TAPER GAUGE IS SET TO BUSH, AN AREA OF CONTACT SHALL BE 80% OR MORE OF WHOLE AREA OF BUSH TAPERED POSITION
MOMENT OF INERTIA	20±2 kg-cm?
AMOUNT OF IMBALANCE	2.0 gm-cm (max)
TOTAL WEIGHT Approx	1.22kg. ROTOR- 0.86kg, STATOR- 0.36 kg.
ROTOR RIVET STRENGTH.	500 kgf / rivet min. (S)
CLAD BONDING STRENGTH.	125 kgf min. (S)
MAGNET BONDING STRENGTH.	200 kgf / magnet min. (S)

4] MAINTENANCE SPECIFICATION:

COIL RESISTANCE (AT 29°C) ▲	Y - B/W	0.6 Ω ±5%
	W/R - B/W	0.7 Ω ±5%
	BR-W	220Ω ±5%

5] LIGHT LOAD PERFORMANCE

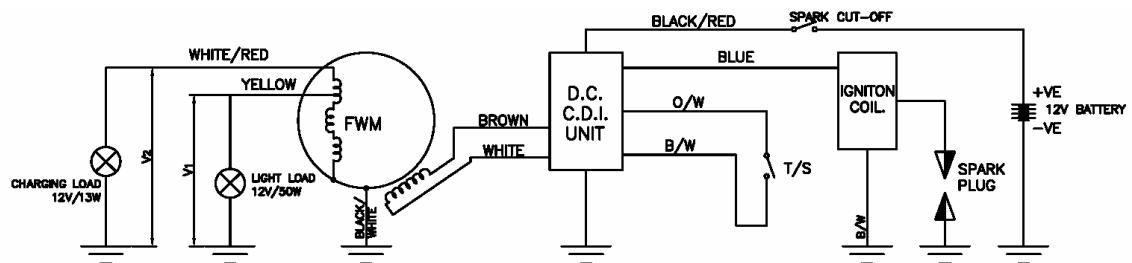
CONTENTS	SPECIFICATIONS
LIGHT VOLTAGE (12V,50W) ▲	14V min. @ 2500 rpm. (Without R-R Unit)

6] BATTERY CHARGING PERFORMANCE

BATTERY VOLTAGE (12V, 13W) ▲	@2500rpm- 15.8V min (Without R-R Unit)
------------------------------	--

Test Set-up

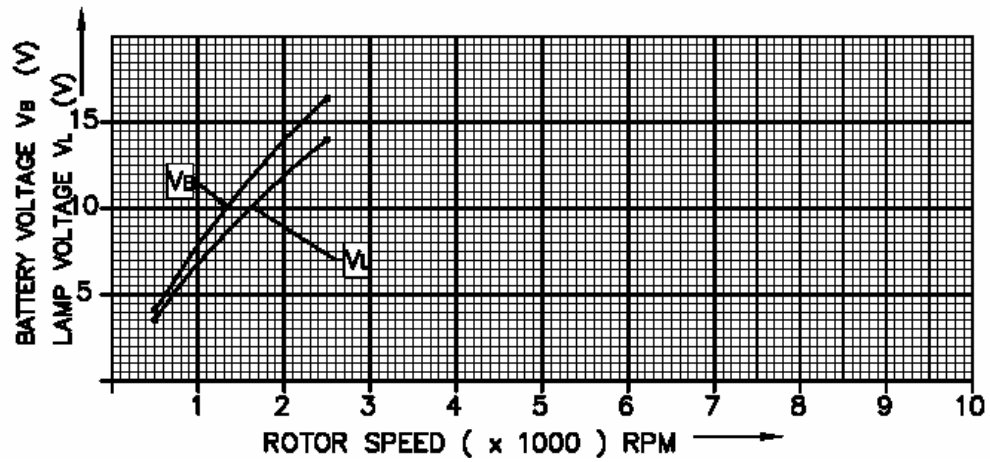
DIAGRAMATIC REPRESENTATION :



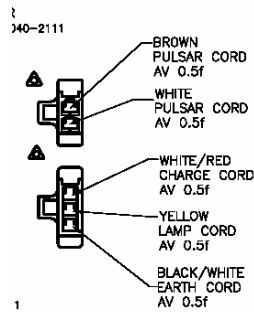
CIRCUIT DIAGRAM

PERFORMANCE GRAPHS

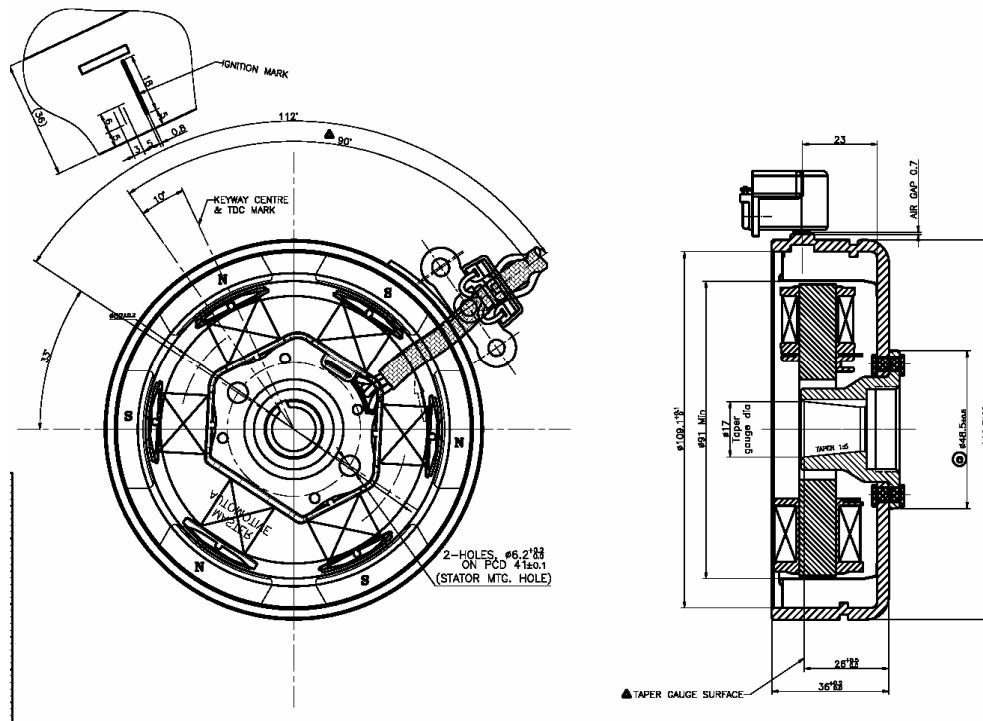
VOLTAGE CURVE



CONNECTION DETAILS



IMENSIONS



CONTACT

Chheda Electricals & Electronics Pvt.Ltd.,
 14, Hadapsar Industrial Estate, Pune 411013, INDIA .
 0, 26876950 ; Fax : +91 20 26876948
 Email : ignition@vsnl.com
 Website : www.masterignition.com