

CHHEDA ELECTRICALS & ELECTRONICS PVT.LTD

PRODUCT : PICK UP COIL

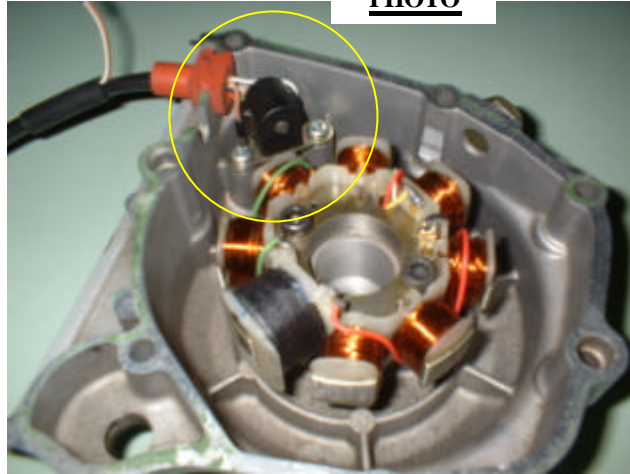
Applications :

TVS Victor
TVS Fiero
TVS Fiero F2

OEM Part No : NIL

CEEPL Ordering Part No : **P 1015**

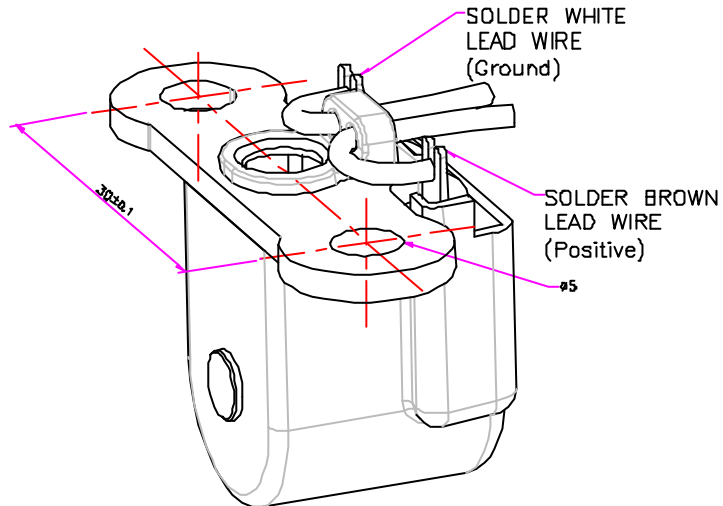
PHOTO



Salient Feature :

Compact Design with Rare Earth Magneto to give reliable and consistent performance.

APPLICATION DETAILS

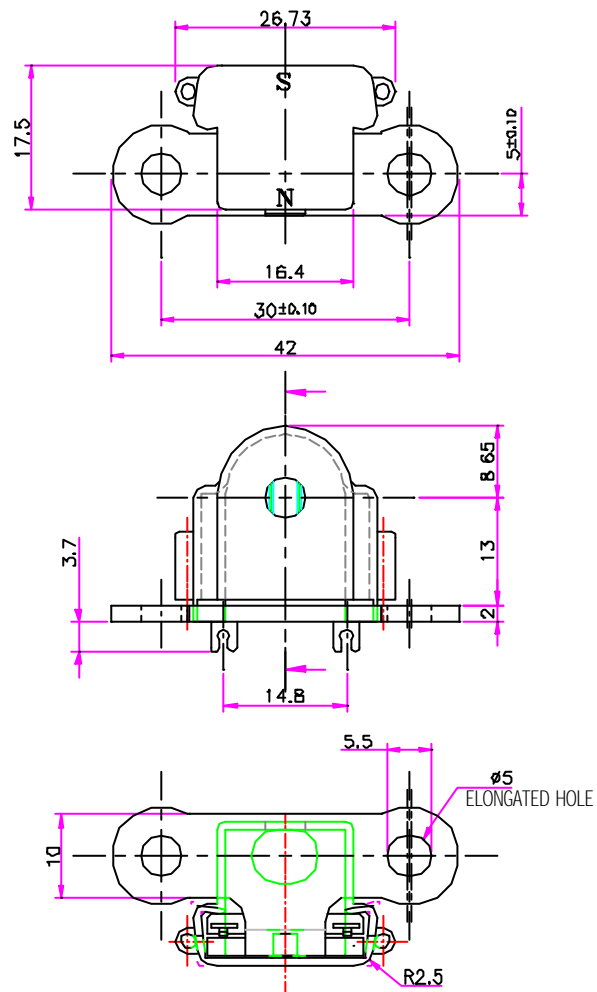


**PICK UP COIL (PULSAR)
FOR 4-S MOTOR CYCLE.**

SPECIFICATIONS

- 1) Working Temp Range : -20°C to + 160°C
- 2) Voltage at 300 rpm = 1.5 V min with air gap of 0.7mm
- 3) Coil Resistance = 240 ohm

DIMENSIONS



CONTACT

Chheda Electricals & Electronics Pvt.Ltd.

14, Hadapsar Industrial Estate,

Pune – 411 013.

Phone : 91-020- 6817780 , 6876950

Fax : 91-020 - 6876948

Email : ignition@vsnl.com