

CHHEDA ELECTRICALS & ELECTRONICS PVT.LTD

PRODUCT : IGNITION MODULE

Applications :

TECUMSEH ENGINE 3-15 HP

OEM Part No : **34443A**

CEEPL Ordering Part No : **IGM 102**

PHOTO



Salient Feature :

This module matches Tecumseh Part No 34443 A .

Exceptional reliability is Incorporated due to our experience in designing ignition systems for more demanding applications of two wheelers.

Shock proof EPDM Spark plug cap.

Phosphor Bronze contact for firm grip.

Plated non rusting Core

High Temperature (135°C) withstanding rubber sheath Ignition cable.

SPECIFICATIONS

Technical Specifications :

Open Circuit Voltage at 1500 rpm	27 KV maximum
Spark Duration (5 mm Spark gap at 1500 rpm)	130 μs
Spark (5 mm Spark Energy at 1500 rpm)	5.6 μSiemens

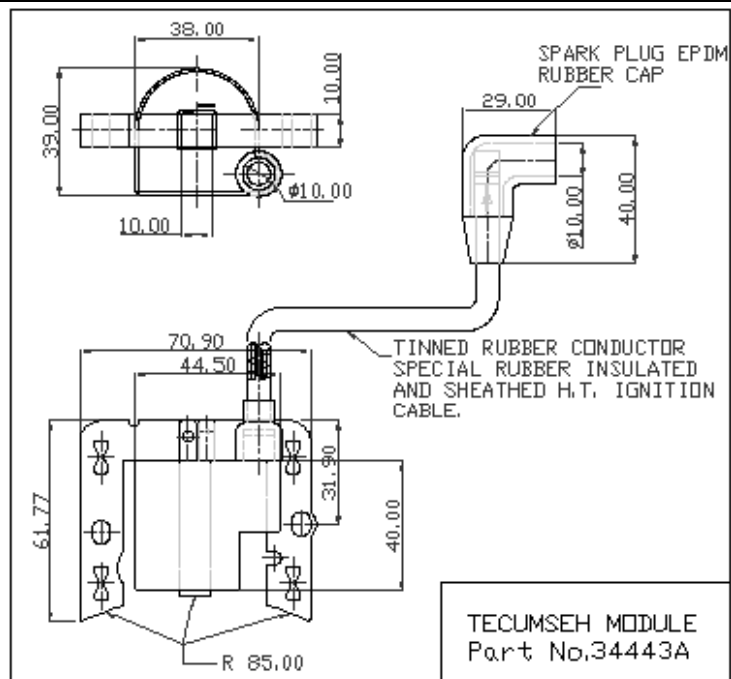
APPLICATION
DETAILS**Application :**

Replacement for Tecumseh(USA) Part no. 34443A.
These are used on engines made by Tecumseh from 3-15 Hp and used in wide variety of applications like Lawn movers, Snow clearing equipment, Tractors, Gensets, Compressors, Blowers etc.

Price (After market only):

F.O.B. India: US \$ 7.00 only

DIMENSIONS



CONTACT

Chheda Electricals & Electronics Pvt.Ltd.

14, Hadapsar Industrial Estate,

Pune – 411 013.

Phone : 91-020- 6817780 , 6876950

Fax : 91-020 - 6876948

Email : ignition@vsnl.com