

## CHHEDA ELECTRICALS & ELECTRONICS PVT.LTD

PRODUCT : **DIGITAL CDI**

Applications :

**TVS VICTOR**

OEM Part No : **N2060080**

CEEPL Ordering Part No : **C112**

PHOTO



**Salient Feature :**

These are intelligent CDI's using variable-advanced timing where the firing angle is varied according to the engine RPM in order to maximise both the power output as well as the engine efficiency.

Built with the latest technology and infrastructure to offer high reliability and superior performance.

### **SPECIFICATIONS: -**

**SPECIFICATIONS**

#### 1] APPLICATION.

- a) MODEL: Victor Digital CDI.
- b) ENGINE: 4-STROKE SINGLE CYLINDER
- c) OPERATING RPM: 350~10000 RPM.
- d) OPERATING TEMPERATURE: -20°C TO +70°C.

#### 2] ELECTRICAL.

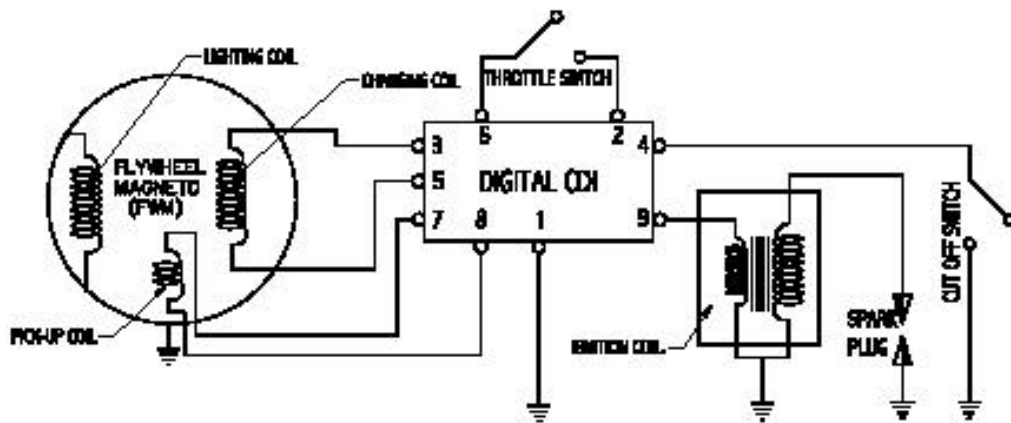
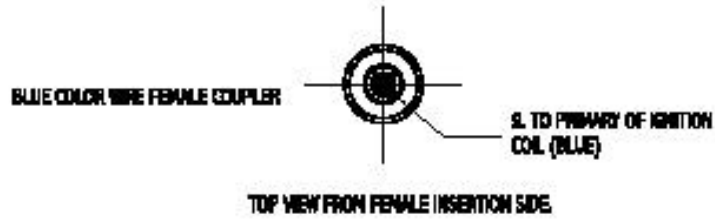
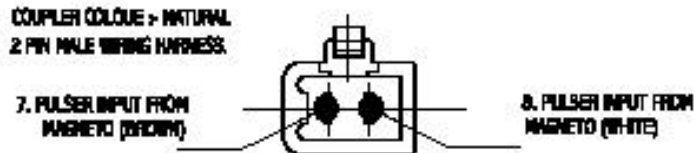
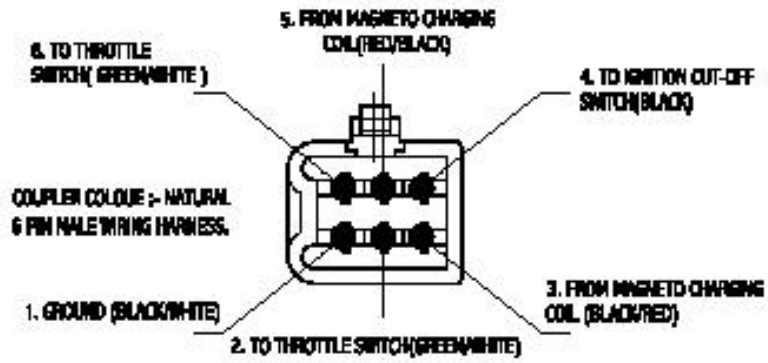
- a) IGNITION TIMING: REFER IGNITION TIMING CURVE.
- b) TRIGGER START RPM: 350 RPM MAX.
- c) IGNITION CAPACITOR: 2.2  $\mu$ F/ 400 V.

#### 3] MECHANICAL.

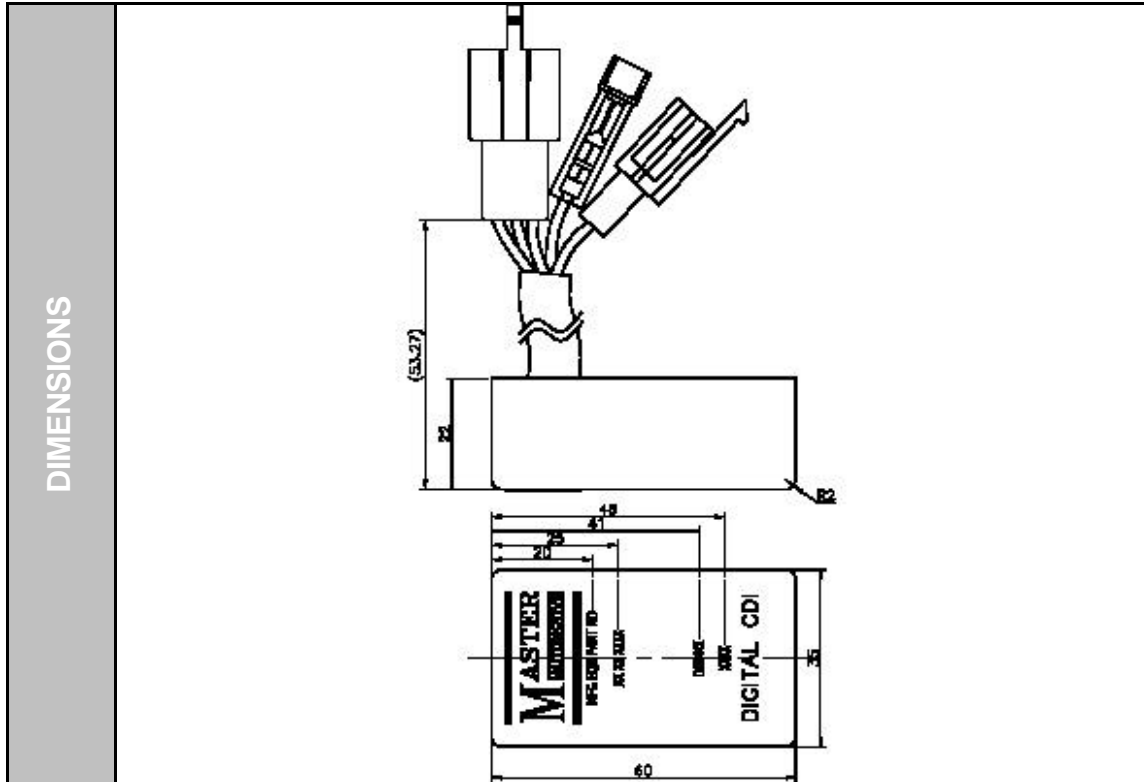
- a) MASS : 85 gm APPROX.
- b) CASE MATERIAL: PBT (BLACK)

APPLICATION DETAILS

**COUPLER CONNECTION DETAILS OF TVS VECTOR DIGITAL COIL**



**CONNECTION DIAGRAM**

**CONTACT****Chheda Electricals & Electronics Pvt.Ltd.**

14, Hadapsar Industrial Estate,

Pune – 411 013.

Phone : 91-020- 6817780 , 6876950

Fax : 91-020 - 6876948

Email : [ignition@vsnl.com](mailto:ignition@vsnl.com)